

# Elite Sheet Piling Ltd

**Movax** Side Grip Specialists

## Doosan DX350 LC-7 Tier 5 Specification Data Sheet



Elite Sheet Piling Ltd, Clough Street, Stoke-on-Trent, ST1 4AS

**Tel:** 0871 915 3775 **Mob:** 07891554088 **Email:** [info@elitesheetpiling.com](mailto:info@elitesheetpiling.com) **Web:** [www.elitesheetpiling.com](http://www.elitesheetpiling.com)

Elite Sheet Piling Ltd is a registered limited Company in England and Wales. Company No: 07869902.

# Elite Sheet Piling Ltd

**Movax** Side Grip Specialists

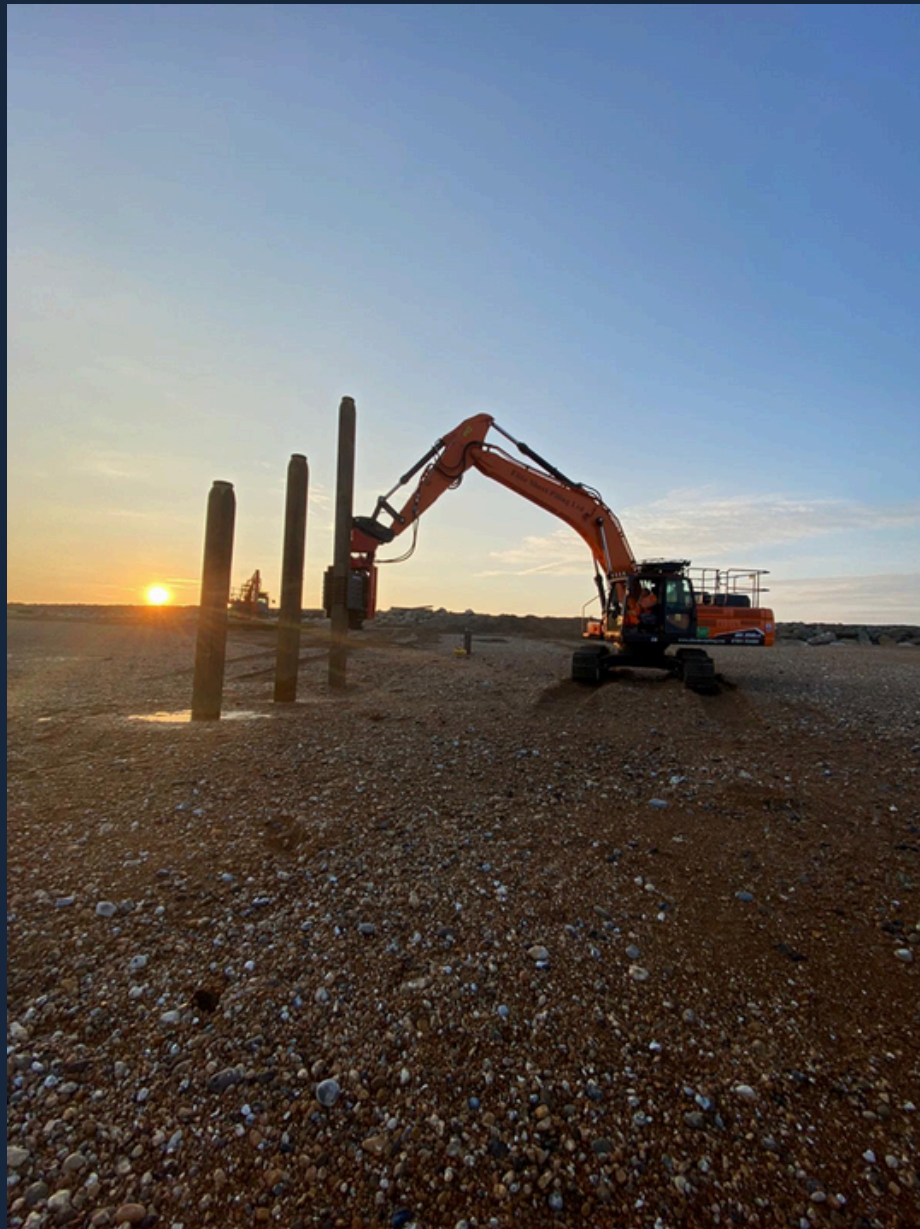
## Specification

- Boom Length 6.5m
- Arm Length 3.2m
- Assisted 360 Vision
- Double lock Quick Hitch
- 600mm Shoe width
- Bio-degradable hydraulic Oil
- Led Lighting
- Hand Rail
- Cab Guards
- Seat Belt green light
- Doosan Connect
- Width – 3280mm



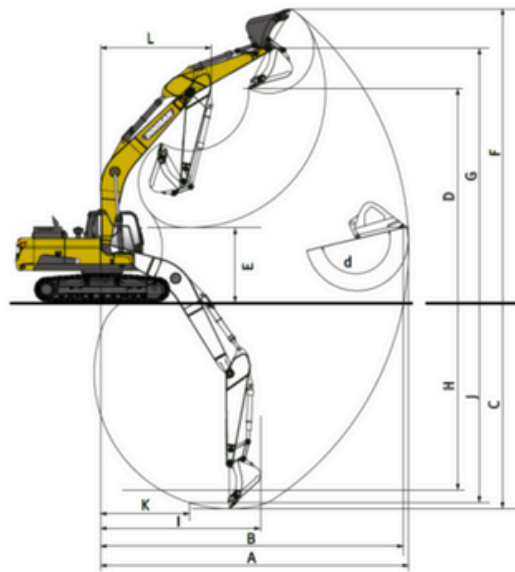
## Lifting Capacity

Unit: 1000 kg	A		1.5 m		3.0 m		4.5 m		6.0 m		7.5 m		9.0 m		Max. reach		
	B		⌈	⌋	⌈	⌋	⌈	⌋	⌈	⌋	⌈	⌋	⌈	⌋	⌈	⌋	A
One-piece boom 6.5 m Arm 3.2 m Shoe 600 mm Counterweight 7.1 t	7.5 m										8.06 *	7.93			8.04 *	7.50	7.74
	6.0 m										8.19 *	7.84			7.84 *	6.20	8.61
	4.5 m					12.59 *	12.59 *	10.09 *	10.09 *	8.82 *	7.59	8.19 *	5.65	7.92 *	5.49	9.15	
	3.0 m					16.02 *	15.34	11.71 *	10.09	9.66 *	7.28	8.22	5.51	7.65	5.12	9.42	
	1.5 m					18.45 *	14.34	13.12 *	9.55	10.45 *	6.98	8.06	5.36	7.50	4.99	9.45	
	0.0 m					19.22 *	13.93	13.94 *	9.21	10.36	6.77	7.95	5.26	7.67	5.08	9.23	
	-1.5 m			15.04 *	15.04 *	18.80 *	13.86	14.01 *	9.08	10.25	6.68			8.26	5.45	8.74	
	-3.0 m	17.88 *	17.88 *	23.46 *	23.46 *	17.41 *	14.01	13.23 *	9.12	10.22 *	6.73			9.36 *	6.25	7.95	
	-4.5 m			19.57 *	19.57 *	14.70 *	14.36	11.12 *	9.38					9.42 *	8.05	6.73	



## Working Range

### Working range

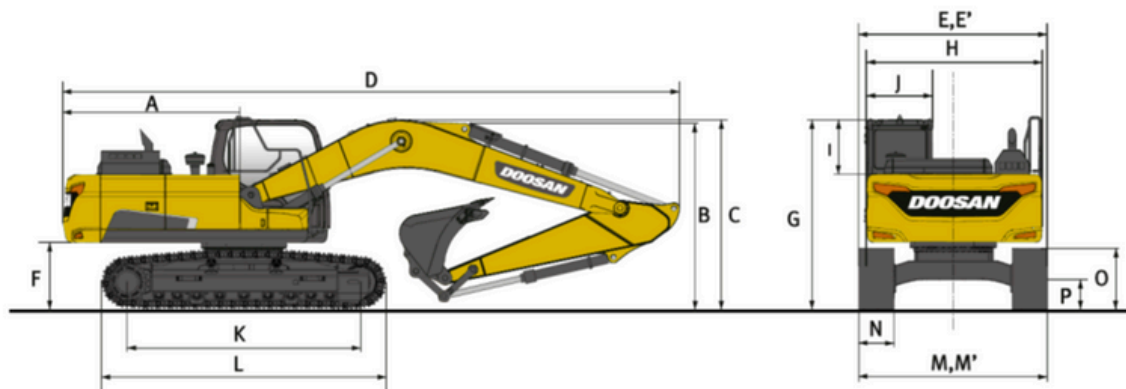


#### Working range

	One-piece boom			Two-piece boom		
	6500			3435 LB + 3100 UB		
Boom length - mm						
Arm length - mm	2600	3200	3950	2600	3200	3950
Bucket capacity - m <sup>3</sup>	1.83	1.49	1.25	1.83	1.49	1.25
A Max. digging reach - mm	10600	11180	11940	10785	11390	12165
B Max. digging reach (ground) - mm	10390	10980	11755	10575	11195	11980
C Max. digging depth - mm	6940	7540	8295	6740	7355	8125
D Max. loading height - mm	6860	7170	7630	8535	9060	9750
E Min. loading height - mm	3305	2700	1945	4380	3635	2900
F Max. digging height - mm	9980	10325	10825	11940	12475	13175
G Max. bucket pin height - mm	8575	8885	9345	10250	10775	11465
H Max. vertical wall depth - mm	5100	5900	6840	5260	5945	6750
I Max. radius vertical - mm	7715	7720	7785	7510	7550	7680
J Max. digging depth (8° level) - mm	6720	7355	8155	6540	7255	8035
K Min. radius 8° level - mm	3270	3315	3385	1995	1995	1995
L Min. swing radius - mm	4480	4455	4515	3635	3440	3620
d Bucket angle - °	178	178	178	178	178	178

## Dimensions

### Dimensions



#### Dimensions

	One-piece boom			Two-piece boom		
	6500			3435 LB + 3100 UB		
Boom length - mm						
Arm length - mm	2600	3200	3950	2600	3200	3950
Bucket capacity - m <sup>3</sup>	1.83	1.49	1.25	1.83	1.49	1.25
A Tail swing radius - mm	3530	3530	3530	3530	3530	3530
B Shipping height (boom) - mm	3495	3255	3420	3465	3505	3860
C Shipping height (hose) - mm	3640	3390	3550	3515	3555	3910
D Shipping length - mm	11405	11315	11345	11345	11350	11280
E Shipping width std. - mm	3280	3280	3280	3280	3280	3280
E' Shipping width narrow - mm	3000	3000	3000	3000	3000	3000
F Counterweight clearance - mm	1170	1170	1170	1170	1170	1170
G Height over cab - mm	3100	3100	3100	3100	3100	3100
H House width - mm	3000	3000	3000	3000	3000	3000
I Cab height above house - mm	853	853	853	853	853	853
J Cab width - mm	1010	1010	1010	1010	1010	1010
K Tumbler distance - mm	4040	4040	4040	4040	4040	4040
L Track length - mm	4940	4940	4940	4940	4940	4940
M Undercarriage width std - mm	3280	3280	3280	3280	3280	3280
M' Undercarriage width narrow - mm	3000	3000	3000	3000	3000	3000
N Shoe width std. - mm	600	600	600	600	600	600
O Track height - mm	970	970	970	970	970	970
P Ground clearance - mm	480	480	480	480	480	480

# Movax SG-75

## SG-75

### FEATURES

- Designed to match the capabilities of larger excavators and to combine a robust structure with excellent pile handling characteristics.
- Fitted with heavy-duty arms/clamps capable of driving a wide range of piles including sheet piles, H-piles, tubular steel piles and other pile sections.
- High frequency pile driver with fixed eccentric moment.
- Based on the Movax Modular System (MMS™). The unit is always equipped with one of the standard arm/clamp systems and the bottom clamp. Customised arms and clamps are available upon special request.
- Controlled with the MOVAX Control System (MCS™); MCS Lite, MCS Pro or MCS Pro+auto.
- Available with M-logbook™ for documentation and reporting (optional, requires MCS Pro or MCS Pro+auto).



### TECHNICAL DATA

Weight (excl. adapter)	kg	3330 - 3588
Width	mm	1270
Centrifugal force, max	kN	750
Driving method		Vibration
Eccentric moment	kgm	7.6
Engine power, min	kgm	184
Frequency	1/min	2300 - 3000
Ground vibration		Normal
Height	mm	2560
Pressure setting	bar	350
Return pressure, max	bar	5
Swing angle	°	+/- 360
Tilt angle	°	+/- 30

### SUITABLE PILES

#### TYPES AND DIMENSIONS

Sheet pile	width mm	400-1200
	depth mm	265
H-beam	size	H180-H500
Timber pile	mm	Ø 160-420
Tubular pile, tubes	mm	up to 762



#### LENGTH & WEIGHT

6m / 2800kg

12m / 1900kg

16m / 1300kg

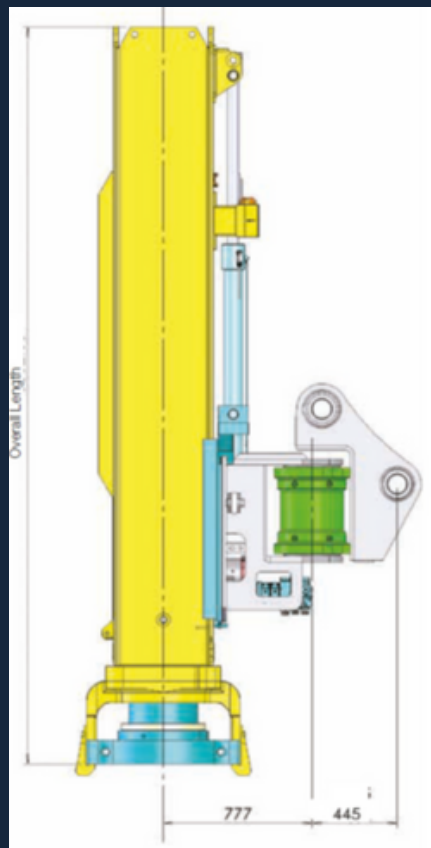
## Drop Hammer

### DX TECHNICAL DATA

#### PILE TYPES

TYPICAL PILES DRIVEN SINGLY OR IN PAIRS. Most Arcelor AZ and AU14 piles. Also, LX / PU / W Ranges, Hoesch H1200 to H3600, 'H' Piles, HP260 to HP400, USA HP10" to HP16". Tubes up to 406mm Dia (16") Rail Standard 610mm & 762mm Diameter tubes, Plus many others...

PERFORMANCE DATA	RAM MASS	MAX. IMPACT ENERGY	BLOW RATE @ RATED ENERGY	OPERATING PRESSURE	HYDRALIC OIL FLOW REQUIRED
MODEL	Kg	kNm	bpm	Bar	L/min
DX20	1500	20	60	160	130
DX25	2000	25	60	160	150
DX30	2500	30	60	180	170



SPECIFICATIONS	*OVERALL LENGTH DX RT SP	*HAMMER WIDTH DX RT SP	DX	*HAMMER MASS RT	SP
	mm	mm		Kg	
MODEL					
DX20	4000	600	3900	4350	5500
DX25	4000	600	4500	4950	6000
DX30	4300	600	5500	5750	6800