

# Elite Sheet Piling Ltd

**Movax** Side Grip Specialists

## Volvo EC400FL

Specification Data Sheet



Elite Sheet Piling Ltd, Clough Street, Stoke-on-Trent, ST1 4AS

**Tel:** 0871 915 3775 **Mob:** 07891554088 **Email:** [info@elitesheetpiling.com](mailto:info@elitesheetpiling.com) **Web:** [www.elitesheetpiling.com](http://www.elitesheetpiling.com)

Elite Sheet Piling Ltd is a registered limited Company in England and Wales. Company No: 07869902.

# Elite Sheet Piling Ltd

**Movax** Side Grip Specialists

## Specification

- Boom Length 6.45m
- Arm Length 3.2m
- Side View Camera
- Double lock Quick Hitch
- 700mm Shoe width
- Slew restrictor
- Tier 5
- Bio-degradable hydraulic Oil
- Led Lighting
- Hand Rail
- Cab Guards
- Seat Belt green light
- Volvo Connect
- Rear Camera
- Width - 3450mm





# Elite Sheet Piling Ltd

**Movax** Side Grip Specialists

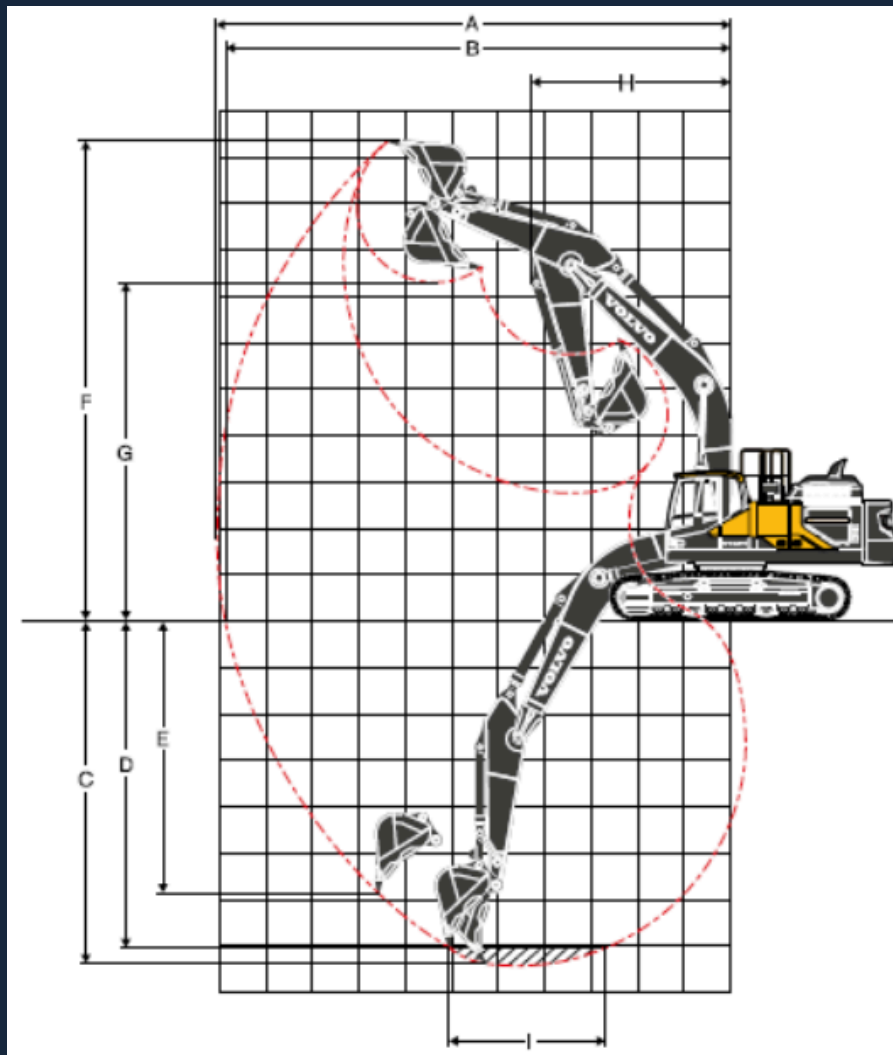
## Lifting Capacity

Lifting hook related to ground level	1.5 m		3.0 m		4.5 m		6.0 m		7.5 m		9.0 m		Max. reach		m		
	Along UC	Across UC	Along UC	Across UC	Along UC	Across UC	Along UC	Across UC	Along UC	Across UC	Along UC	Across UC	Along UC	Across UC			
Boom : 6.45m Arm : 3.2m Shoe : 600mm CWT : 7 250kg	7.5 m	kg								9 370	8 930			8 200	8 200	7.7	
	6 m	kg								9 500	8 860			7 980	7 140	8.5	
	4.5 m	kg															
	3 m	kg															
	1.5 m	kg															
	0 m	kg															
	-1.5 m	kg															
	-3 m	kg	17 590	17 590	23 840	23 840	20 970	16 200	15 880	10 550	12 270	7 790			11 520	7 380	7.8
	-4.5 m	kg															

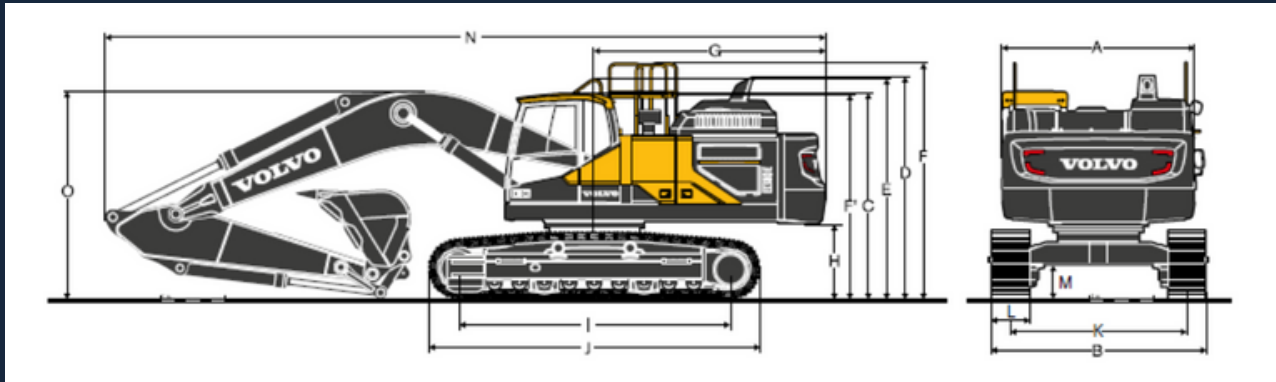


## Working Range

Description	Unit	EC380E			
		6.2	2.6	3.2	3.9
<b>Boom</b>	<b>m</b>	<b>6.2</b>	<b>6.45</b>		
<b>Arm</b>	<b>m</b>	<b>2.6</b>	<b>2.6</b>	<b>3.2</b>	<b>3.9</b>
A. Max. digging reach	mm	10 450	10 695	11 220	11 855
B. Max. digging reach on ground	mm	10 225	10 480	11 010	11 665
C. Max. digging depth	mm	6 755	6 990	7 590	8 290
D. Max. digging depth (2.44 m level)	mm	6 575	6 805	7 425	8 145
E. Max. vertical wall digging depth	mm	4 860	5 000	5 510	6 110
F. Max. cutting height	mm	10 055	10 195	10 370	10 640
G. Max. dumping height	mm	6 800	6 950	7 140	7 415
H. Min. front slew radius	mm	4 090	4 290	4 280	4 305



# Dimensions



### DIMENSIONS

Description	Unit	EC380EL				EC380ENL			
		6.2	6.45	6.45	3.9	6.2	6.45	6.45	3.9
<b>Boom</b>	<b>m</b>	<b>6.2</b>	<b>6.45</b>	<b>6.45</b>	<b>3.9</b>	<b>6.2</b>	<b>6.45</b>	<b>6.45</b>	<b>3.9</b>
<b>Arm</b>	<b>m</b>	<b>2.6</b>	<b>2.6</b>	<b>3.2</b>	<b>3.9</b>	<b>2.6</b>	<b>2.6</b>	<b>3.2</b>	<b>3.9</b>
A. Overall width of upper structure	mm	2 990	2 990	2 990	2 990	2 990	2 990	2 990	2 990
B. Overall width	mm	3 340	3 340	3 340	3 340	2 990	2 990	2 990	2 990
C. Overall height of cab	mm	3 220	3 220	3 220	3 220	3 220	3 220	3 220	3 220
D. Overall height of diffuser	mm	3 465	3 465	3 465	3 465	3 465	3 465	3 465	3 465
E. Overall height of handrail	mm	3 440	3 440	3 440	3 440	3 440	3 440	3 440	3 440
F. Overall height of guardrail (unfolded)	mm	3 685	3 685	3 685	3 685	3 685	3 685	3 685	3 685
F. Overall height of guardrail (folded)	mm	3 215	3 215	3 215	3 215	3 215	3 215	3 215	3 215
G. Tail swing radius	mm	3 600	3 600	3 600	3 600	3 600	3 600	3 600	3 600
H. Counterweight clearance *	mm	1 150	1 150	1 150	1 150	1 150	1 150	1 150	1 150
I. Tumbler length	mm	4 240	4 240	4 240	4 240	4 240	4 240	4 240	4 240
J. Track length	mm	5 180	5 180	5 180	5 180	5 180	5 180	5 180	5 180
K. Track gauge	mm	2 740	2 740	2 740	2 740	2 390	2 390	2 390	2 390
L. Shoe width	mm	600	600	600	600	600	600	600	600
M. Min. ground clearance *	mm	500	500	500	500	500	500	500	500
N. Overall length	mm	11 060	11 310	11 220	11 270	11 060	11 310	11 220	11 270
O. Overall height of boom	mm	3 610	3 580	3 360	3 605	3 610	3 580	3 360	3 605

# Movax SG-75

## SG-75

### FEATURES

- Designed to match the capabilities of larger excavators and to combine a robust structure with excellent pile handling characteristics.
- Fitted with heavy-duty arms/clamps capable of driving a wide range of piles including sheet piles, H-piles, tubular steel piles and other pile sections.
- High frequency pile driver with fixed eccentric moment.
- Based on the Movax Modular System (MMS™). The unit is always equipped with one of the standard arm/clamp systems and the bottom clamp. Customised arms and clamps are available upon special request.
- Controlled with the MOVAX Control System (MCS™); MCS Lite, MCS Pro or MCS Pro+auto.
- Available with M-logbook™ for documentation and reporting (optional, requires MCS Pro or MCS Pro+auto).



### TECHNICAL DATA

Weight (excl. adapter)	kg	3330 - 3588
Width	mm	1270
Centrifugal force, max	kN	750
Driving method		Vibration
Eccentric moment	kgm	7.6
Engine power, min	kgm	184
Frequency	1/min	2300 - 3000
Ground vibration		Normal
Height	mm	2560
Pressure setting	bar	350
Return pressure, max	bar	5
Swing angle	°	+/- 360
Tilt angle	°	+/- 30

### SUITABLE PILES

#### TYPES AND DIMENSIONS

Sheet pile	width mm	400-1200
	depth mm	265
H-beam	size	H180-H500
Timber pile	mm	Ø 160-420
Tubular pile, tubes	mm	up to 762



#### LENGTH & WEIGHT

6m / 2800kg

12m / 1900kg

16m / 1300kg

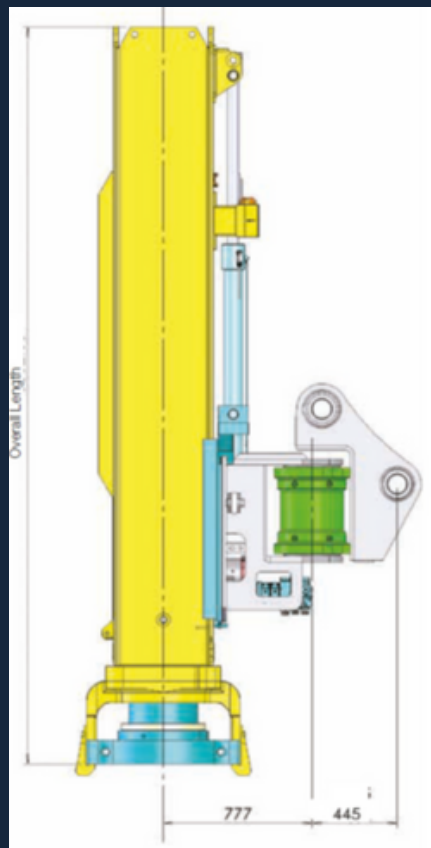
## Drop Hammer

### DX TECHNICAL DATA

#### PILE TYPES

TYPICAL PILES DRIVEN SINGLY OR IN PAIRS. Most Arcelor AZ and AU14 piles. Also, LX / PU / W Ranges, Hoesch H1200 to H3600, 'H' Piles, HP260 to HP400, USA HP10" to HP16". Tubes up to 406mm Dia (16") Rail Standard 610mm & 762mm Diameter tubes, Plus many others...

PERFORMANCE DATA	RAM MASS	MAX. IMPACT ENERGY	BLOW RATE @ RATED ENERGY	OPERATING PRESSURE	HYDRALIC OIL FLOW REQUIRED
MODEL	Kg	kNm	bpm	Bar	L/min
DX20	1500	20	60	160	130
DX25	2000	25	60	160	150
DX30	2500	30	60	180	170



SPECIFICATIONS	*OVERALL LENGTH DX RT SP	*HAMMER WIDTH DX RT SP	DX	*HAMMER MASS RT	SP
	mm	mm		Kg	
MODEL					
DX20	4000	600	3900	4350	5500
DX25	4000	600	4500	4950	6000
DX30	4300	600	5500	5750	6800