

Elite Sheet Piling Ltd

Movax Side Grip Specialists

Volvo EC145EL

Specification Data Sheet



Elite Sheet Piling Ltd, Clough Street, Stoke-on-Trent, ST1 4AS

Tel: 0871 915 3775 **Mob:** 07891554088 **Email:** info@elitesheetpiling.com **Web:** www.elitesheetpiling.com

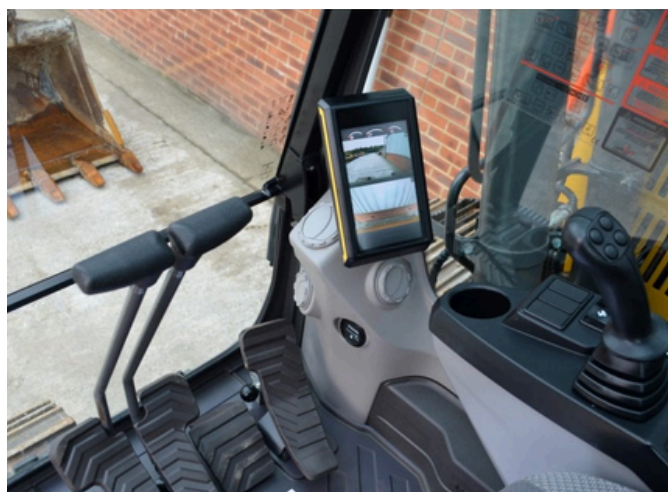
Elite Sheet Piling Ltd is a registered limited Company in England and Wales. Company No: 07869902.

Elite Sheet Piling Ltd

Movax Side Grip Specialists

Specification

- Boom Length 4.6m
- Arm Length 3m
- Front, Side & Rear-View Camera
- Double lock Quick Hitch
- 700mm Shoe width
- High vis contact points
- Machine width – 2700mm
- 46 hydraulic Oil
- Led Lighting
- Hand Rail
- Cab Guards
- Seat Belt green light
- Volvo Connect
- Tracking Alarm
- Tier 5



Elite Sheet Piling Ltd

Movax Side Grip Specialists

Lifting Capacity

LIFTING CAPACITY ECR145EL

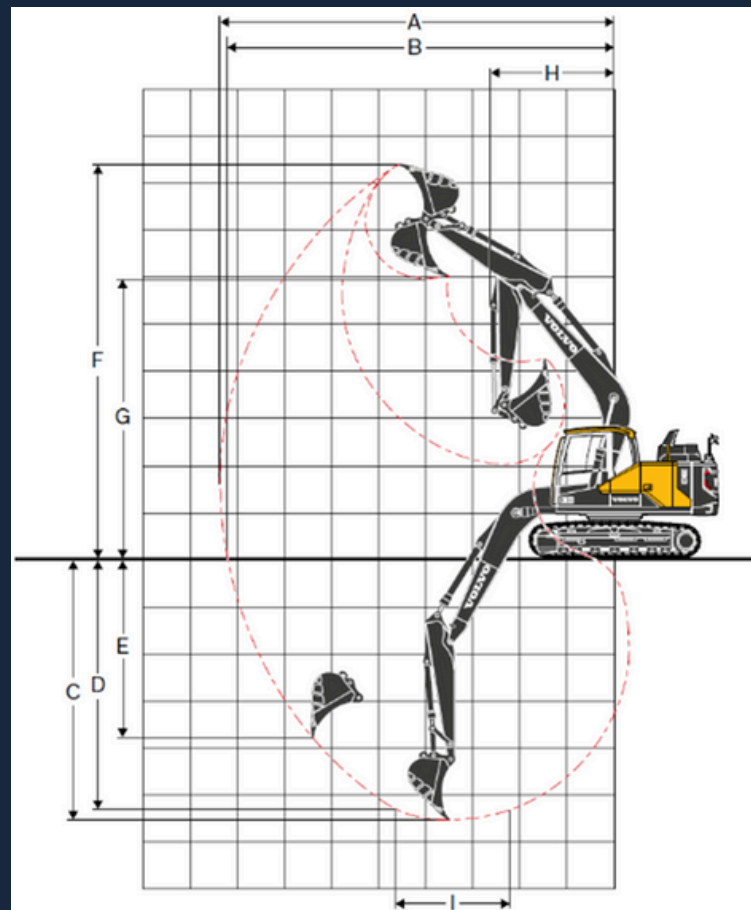
Lifting capacity at the arm end without bucket.

For lifting capacity including bucket, simply subtract actual weight of the direct fit bucket or the bucket with quick coupler from the following values.

	Lifting hook related to ground level	1.5 m		3.0 m		4.5 m		6.0 m		7.5 m		Max. reach		m
		Along UC	Across UC	Along UC	Across UC	Along UC	Across UC	Along UC	Across UC	Along UC	Across UC	Along UC	Across UC	
Boom : 4.6m Arm : 3.0m Shoe : 700mm CWT : 3 200kg	7.5m kg	-	-	-	-	*3 460	*3 460	-	-	-	-	*3 360	*3 360	4.6
	6.0m kg	-	-	-	-	*3 220	*3 220	*3 030	2 490	-	-	*2 830	2 430	6.1
	4.5m kg	-	-	-	-	*3 510	*3 510	*3 350	2 480	-	-	*2 670	1 920	7.0
	3.0m kg	-	-	*5 740	*5 740	*4 300	3 740	*3 650	2 400	-	-	*2 670	1 690	7.4
	1.5m kg	-	-	-	-	*5 260	3 480	3 740	2 280	2 660	1 620	2 620	1 600	7.6
	0.0m kg	-	-	*6 540	5 960	5 630	3 280	3 640	2 190	-	-	2 670	1 620	7.4
	-1.5m kg	*4 120	*4 120	*8 920	5 870	5 520	3 190	3 580	2 140	-	-	2 940	1 770	6.9
	-3.0m kg	*7 550	*7 550	*7 500	5 930	*5 090	3 200	-	-	-	-	*3 340	2 180	6.0
	-4.5m kg	-	-	*4 580	*4 580	-	-	-	-	-	-	*2 830	*2 830	4.4

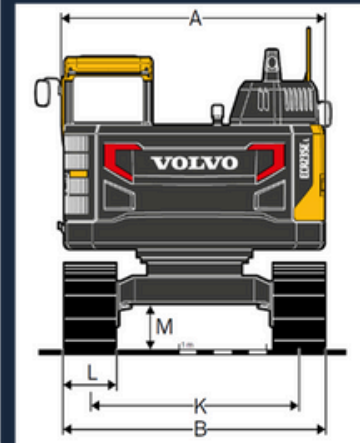
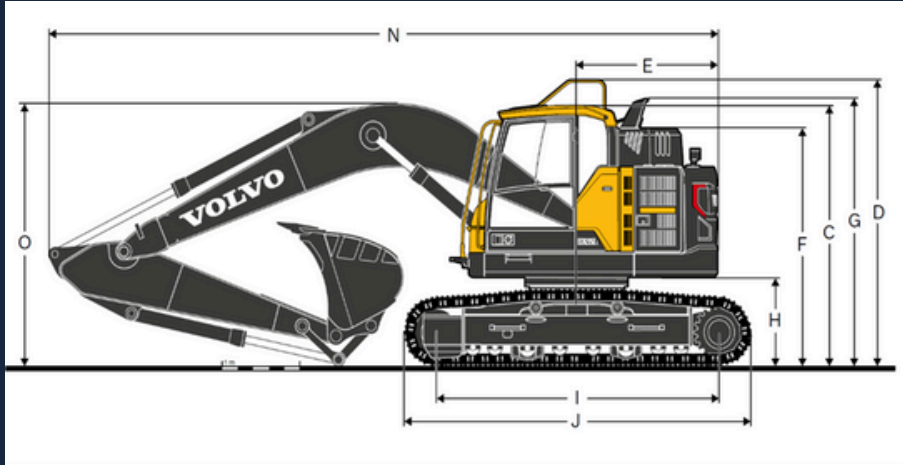


Working Range



Boom		m	4.6 mono		
Arm		m	2.1	2.5	3.0
A	Max. digging reach	mm	7 990	8 360	8 850
B	Max. digging reach on ground (L)	mm	7 840	8 215	8 720
	Max. digging reach on ground (LM)	mm	7 800	8 180	8 680
C	Max. digging depth (L)	mm	5 130	5 530	6 030
	Max. digging depth (LM)	mm	4 950	5 350	5 850
D	Max. digging depth (I = 2.44m level) (L)	mm	4 880	5 310	5 850
	Max. digging depth (I = 2.44m level) (LM)	mm	4 700	5 130	5 670
E	Max. vertical wall digging depth (L)	mm	3 954	4 325	4 855
	Max. vertical wall digging depth (LM)	mm	3 774	4 145	4 675
F	Max. cutting height (L)	mm	9 090	9 415	9 860
	Max. cutting height (LM)	mm	9 270	9 595	10 040
G	Max. dumping height (L)	mm	6 550	6 875	7 310
	Max. dumping height (LM)	mm	6 730	7 055	7 490
H	Min. front swing radius	mm	1 929	2 130	2 505

Dimensions



Description	Unit	ECR145E		
Boom	m	4.6 mono or 4.72 2-piece		
Arm	m	2.1	2.5	3.0
A. Overall width of upper structure (L)	mm	2 490	2 490	2 490
B. Overall width (L)	mm	2 690	2 690	2 690
C. Overall height of cab (L)	mm	2 895	2 895	2 895
C. Overall height of cab (LM)	mm	3 075	3 075	3 075
D. Overall height of guardrail, unfolded (L)	mm	3 075	3 075	3 075
D. Overall height of guardrail, unfolded (LM)	mm	3 255	3 255	3 255
D'. Overall height of guardrail, folded (L)	mm	-	-	-
E. Tail swing radius (L)	mm	1 494	1 494	1 494
F. Overall height of engine hood (L)	mm	2 545	2 545	2 545
F. Overall height of engine hood (LM)	mm	2 725	2 725	2 725
G. Overall height of diffuser (L)	mm	2 880	2 880	2 880
G. Overall height of diffuser (LM)	mm	3 060	3 060	3 060
H. Counterweight clearance * (L)	mm	900	900	900
H. Counterweight clearance * (LM)	mm	1 090	1 090	1 090
I. Tumbler length (L)	mm	3 040	3 040	3 040
I. Tumbler length (LM)	mm	3 000	3 000	3 000
J. Track length (L)	mm	3 770	3 770	3 770
J. Track length (LM)	mm	3 790	3 790	3 790
K. Track gauge (L)	mm	1 990	1 990	1 990
L. Shoe width (L)	mm	700	700	700
M. Min. ground clearance * (L)	mm	436	436	436
M. Min. ground clearance * (LM)	mm	580	580	580
N. Overall length (L)	mm	7 400	7 405	7 345
N. Overall length (LM)	mm	7 420	7 420	7 390
N1. Overall length (L)	mm	7 505	7 470	7 370
N1. Overall length (LM)	mm	7 525	7 500	7 430
O. Overall height of boom (L)	mm	2 760	2 900	3 250
O. Overall height of boom (LM)	mm	2 830	2 970	3 265
O1. Overall height of boom (L)	mm	2 710	2 910	3 470
O1. Overall height of boom (LM)	mm	2 890	2 950	3 380

* Without shoe grouser.
 † 2-piece boom

Movax SG-30



Technical data		SG-30N
Weight (excl. adapter)	kg	1485
Height	mm	2042
Depth	mm	1138
Width	mm	1030
Frequency	1/min	2300
Eccentric moment	kgm	3.1
Centrifugal force, max	kN	300
Ground vibration		normal
Resonance-free start/stop		no
Driving method		vibration
Swing/tilt angle	o	360 / 30
Return pressure, max	bar	5
Pressure setting	bar	350
Excavator class	t	13
Engine power, min, TIER III	kW	65
Engine power, min, TIER IV	kW	70
Suitable piles		
Length & weight		6 m x 1 200 kg 8 m x 1 000 kg 10 m x 900 kg
Types, dimensions		
Sheet piles	width	400-1200 mm
	depth	260 mm
Trench sheets	width	330-600 mm
H-beams	size	H100-H400
Timber piles	size	Ø 120 - 250 mm
Timber piles	size	Ø 220 - 325 mm
Tubular piles, tubes	size	Ø 88,9 - 508 mm