

Elite Sheet Piling Ltd

Movax Side Grip Specialists

Volvo ECR235EL

Specification Data Sheet



Elite Sheet Piling Ltd, Clough Street, Stoke-on-Trent, ST1 4AS

Tel: 0871 915 3775 **Mob:** 07891554088 **Email:** info@elitesheetpiling.com **Web:** www.elitesheetpiling.com

Elite Sheet Piling Ltd is a registered limited Company in England and Wales. Company No: 07869902.

Elite Sheet Piling Ltd

Movax Side Grip Specialists

Specification

- Boom Length 5.7m
- Arm Length 2.5m
- Side View Camera
- Double lock Quick Hitch
- 700mm Shoe width
- Bio-degradable hydraulic Oil
- Led Lighting
- Hand Rail
- Cab Guards
- Seat Belt green light
- Volvo Connect



Lifting Capacity

LIFTING CAPACITY ECR235EL

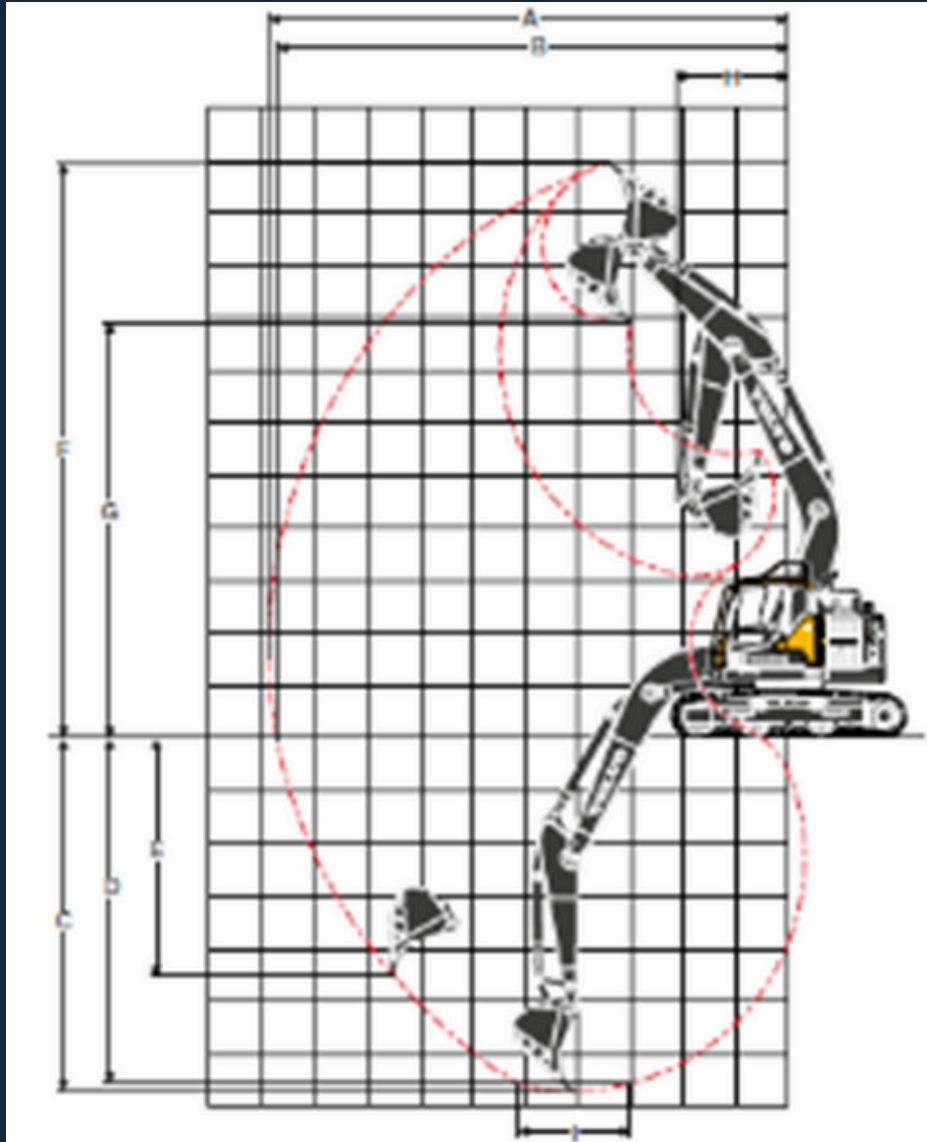
Lifting capacity at the arm end without bucket.

For lifting capacity including bucket, simply subtract actual weight of the direct fit bucket or the bucket with quick coupler from the following values.

	Lifting hook related to ground level	1.5 m		3.0 m		4.5 m		6.0 m		7.5 m		Max. reach		m
		Along UC	Across UC	Along UC	Across UC	Along UC	Across UC	Along UC	Across UC	Along UC	Across UC	Along UC	Across UC	
Boom : 5.7m Arm : 2.5m Shoe : 700mm CWT : 6 200kg	9.0m kg	-	-	*8 380	*8 380	-	-	-	-	-	-	*8 380	*8 380	3.1
	7.5m kg	-	-	-	-	*6 890	*6 890	-	-	-	-	*6 680	6 350	5.5
	6.0m kg	-	-	-	-	*7 210	*7 210	*6 880	5 460	-	-	*6 230	4 510	6.7
	4.5m kg	-	-	*11 790	*11 790	*8 700	8 280	*7 430	5 310	-	-	5 920	3 730	7.5
	3.0m kg	-	-	-	-	*10 880	7 690	8 190	5 060	5 790	3 630	5 370	3 360	7.9
	1.5m kg	-	-	-	-	12 520	7 190	7 920	4 820	5 670	3 520	5 180	3 220	8.0
	0.0m kg	-	-	-	-	12 230	6 950	7 740	4 660	5 580	3 440	5 310	3 270	7.8
	-1.5m kg	-	-	*11 650	*11 650	12 170	6 900	7 670	4 600	-	-	5 820	3 570	7.3
	-3.0m kg	-	-	*15 910	13 610	*11 700	6 980	7 740	4 660	-	-	7 110	4 320	6.4
	-4.5m kg	-	-	*11 740	*11 740	*8 570	7 250	-	-	-	-	*7 760	6 510	4.9

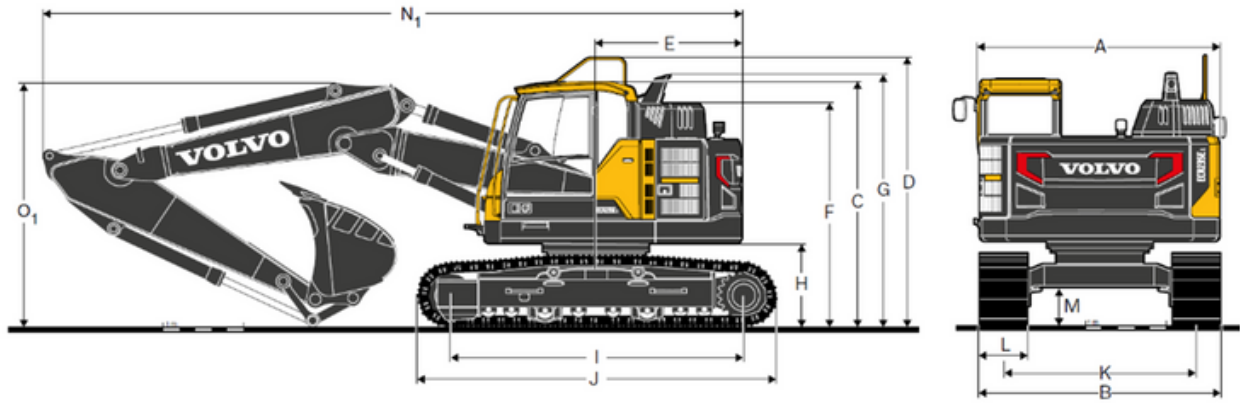


Working Range



Description		Unit	ECR235E			
Boom		m	5.7 mono		5.76 2-piece	
Arm		m	2.5	2.9	2.5	2.9
A	Max. digging reach	mm	9 510	9 890	9 690	10 085
B	Max. digging reach on ground (L)	mm	9 340	9 735	9 660	9 930
	Max. digging reach on ground (LM)	mm	-	-	-	-
C	Max. digging depth (L)	mm	6 350	6 755	5 950	6 355
	Max. digging depth (LM)	mm	-	-	-	-
D	Max. digging depth (I = 2.44m level) (L)	mm	6 120	6 550	5 840	6 250
	Max. digging depth (I = 2.44m level) (LM)	mm	-	-	-	-
E	Max. vertical wall digging depth (L)	mm	5 220	5 685	4 910	5 325
	Max. vertical wall digging depth (LM)	mm	-	-	-	-
F	Max. cutting height (L)	mm	10 600	10 915	11 150	11 515
	Max. cutting height (LM)	mm	-	-	-	-
G	Max. dumping height (L)	mm	7 560	7 870	8 095	8 460
	Max. dumping height (LM)	mm	-	-	-	-
H	Min. front swing radius	mm	2 395	2 170	2 235	2 160

Dimensions



Description	Unit	ECR235E	
		5.7 mono or 5.76 2-piece	
Boom	m	5.7 mono or 5.76 2-piece	
Arm	m	2.5	2.9
A. Overall width of upper structure (L)	mm	2 990	2 990
B. Overall width (L)	mm	3 090	3 090
C. Overall height of cab (L)	mm	2 965	2 965
C. Overall height of cab (LM)	mm	-	-
D. Overall height of guardrail, unfolded (L)	mm	3 365	3 365
D. Overall height of guardrail, unfolded (LM)	mm	-	-
D'. Overall height of guardrail, folded (L)	mm	2 925	2 925
E. Tail swing radius (L)	mm	1 810	1 810
F. Overall height of engine hood (L)	mm	2 780	2 780
F. Overall height of engine hood (LM)	mm	-	-
G. Overall height of diffuser (L)	mm	3 035	3 035
G. Overall height of diffuser (LM)	mm	-	-
H. Counterweight clearance * (L)	mm	1 025	1 025
H. Counterweight clearance * (LM)	mm	-	-
I. Tumbler length (L)	mm	3 660	3 660
I. Tumbler length (LM)	mm	-	-
J. Track length (L)	mm	4 460	4 460
J. Track length (LM)	mm	-	-
K. Track gauge (L)	mm	2 390	2 390
L. Shoe width (L)	mm	700	700
M. Min. ground clearance * (L)	mm	460	460
M. Min. ground clearance * (LM)	mm	-	-
N. Overall length (L)	mm	9 070	9 010
N. Overall length (LM)	mm	-	-
N1. Overall length (L)	mm	9 090	9 065
N1. Overall length (LM)	mm	-	-
O. Overall height of boom (L)	mm	3 330	3 190
O. Overall height of boom (LM)	mm	-	-
O1. Overall height of boom (L)	mm	3 060	3 030
O1. Overall height of boom (LM)	mm	-	-

* Without shoe grouser.

1 2-piece boom

Movax SG-50

SG-50

FEATURES

- Designed to match the capabilities of larger excavators and to combine a robust structure with excellent pile handling characteristics.
- Fitted with heavy-duty arms/clamps capable of driving a wide range of piles including sheet piles, H-piles, tubular steel piles and other pile sections.
- High frequency pile driver with fixed eccentric moment.
- Based on the Movax Modular System (MMS™). The unit is always equipped with one of the standard arm/clamp systems and the bottom clamp. Customised arms and clamps are available upon special request.
- Controlled with the MOVAX Control System (MCS™); MCS Lite, MCS Pro or MCS Pro+auto.
- Available with M-logbook™ for documentation and reporting (optional, requires MCS Pro or MCS Pro+auto).



TECHNICAL DATA

Weight (excl. adapter) *	kg	2400
Height	mm	2530
Depth	mm	1180 - 1436
Engine power, min	kW	125
Return pressure, max	bar	5
Pressure setting	bar	350
Frequency	1/min	2300 - 3000
Eccentric moment	kgm	5.1
Centrifugal force, max	kN	500
Ground vibration		Normal
Oil flow rate	l/min	0
Driving method		Vibration
Swing angle	°	+/- 360
Tilt angle	°	+/- 30
Auger diameter	mm	0

SUITABLE PILES

TYPES AND DIMENSIONS

Sheet pile	width mm	400-1200
	depth mm	265
H-beam	size	H180-H500
Timber pile	mm	Ø 160-420
Tubular pile, tubes *	mm	up to 762

* up to 1220 mm diameter with modular tube arms and tandem bottom clamp



LENGTH & WEIGHT

8m / 2300kg

12m / 1600kg

16m / 1200kg

DH-15 Hammer

Technical data	DH-15
Total weight*	
Excavator mounted	3 500 (3 800**)
MPL-mounted	2800
Piling rig-mounted	2800
Crane-mounted	2800
Ram weight	1360
Blows per minute	0-100
Impact energy	0-15
Drop height	0-1,2
Pressure relief set max	350
Operating pressure	150
Oil flow rate	80-120
Tilt angle	+/-15
Rotation angle**	+/-60
Total height	
Excavator mounted	3850
MPL-mounted	3850
Piling rig-mounted	4000
Crane-mounted	4000
Frame width	500
Transport width	1200
Transport depth	1870
Excavator class***	(20) 23-30

