

# Elite Sheet Piling Ltd

**Movax** Side Grip Specialists

## Volvo ECR88D

Specification Data Sheet



Elite Sheet Piling Ltd, Clough Street, Stoke-on-Trent, ST1 4AS

**Tel:** 0871 915 3775 **Mob:** 07891554088 **Email:** info@elitesheetpiling.com **Web:** www.elitesheetpiling.com

Elite Sheet Piling Ltd is a registered limited Company in England and Wales. Company No: 07869902.

Elite Sheet Piling Ltd

Movax Side Grip Specialists

## Specification

- Boom Length 3.55m
- Arm Length 2.1m
- Double lock Quick Hitch
- 450mm Rubber Shoe width
- High vis contact points 46 hydraulic Oil
- Led Lighting
- Cab Guards
- Seat Belt green light
- Volvo Connect
- Tier 5



## Lifting Capacity

### LIFTING CAPACITY ECR88D

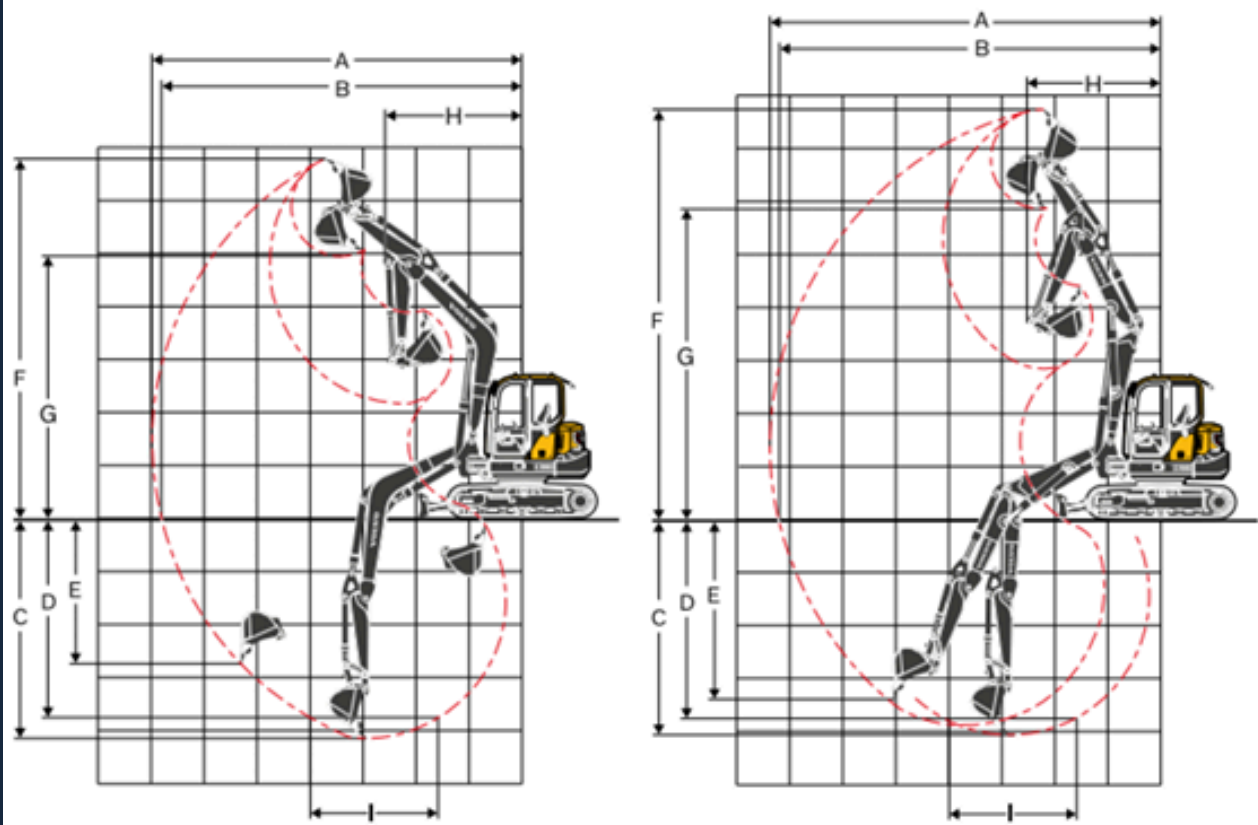
Lifting capacity at the arm end without bucket.

For lifting capacity including bucket. Simply subtract actual weight of the direct fit bucket or the bucket with quick coupler from the following values.

	Lifting point	1.0 m		2.0 m		3.0 m		4.0 m		5.0 m		6.0 m		Max. reach		
		Along	Across	Along	Across	Along	Across	Along	Across	Along	Across	Along	Across	Along	Across	mm
Boom 3.55 m Arm 2.1 m Shoe Rubber 450 mm CWT 1 610 kg Dozer blade down	6.0 m kg													*1 520	*1 520	3 965
	5.0 m kg								*1 400	*1 400				*1 330	*1 330	5 095
	4.0 m kg								*1 360	*1 360				*1 230	1 190	5 776
	3.0 m kg							*1 660	*1 660	*1 490	*1 490	*1 410	1 110	*1 210	1 050	6 184
	2.0 m kg					*3 190	3 170	*2 120	2 040	*1 700	1 450	*1 490	1 080	*1 250	980	6 382
	1.0 m kg					*3 640	2 950	*2 540	1 930	*1 910	1 390	*1 580	1 060	*1 330	960	6 393
	0.0 m kg					*3 950	2 870	*2 770	1 860	*2 040	1 350	*1 610	1 040	*1 490	980	6 217
	-1.0 m kg	*2 670	*2 670	*3 090	*3 090	*4 040	2 860	*2 750	1 840	*2 020	1 330			*1 570	1 070	5 835
	-2.0 m kg	*3 990	*3 990	*4 950	*4 950	*3 540	2 890	*2 470	1 850	*1 750	1 340			*1 600	1 280	5 192
	-3.0 m kg			*3 940	*3 940	*2 550	*2 550	*1 690	*1 690					*1 560	*1 560	4 133
Boom 3.55 m Arm 2.1 m Shoe Rubber 450 mm CWT 1 610 kg Dozer blade up	6.0 m kg													*1 520	*1 520	3 965
	5.0 m kg								*1 400	*1 400				*1 330	*1 330	5 095
	4.0 m kg								*1 360	*1 360				*1 230	1 130	5 776
	3.0 m kg							*1 660	*1 660	*1 490	1 420	1 330	1 050	*1 210	990	6 184
	2.0 m kg					*3 190	2 980	*2 120	1 920	*1 700	1 370	1 300	1 020	*1 180	920	6 382
	1.0 m kg					3 600	2 760	2 330	1 820	1 670	1 310	1 270	990	1 160	900	6 393
	0.0 m kg					3 520	2 680	2 260	1 750	1 630	1 270	1 250	970	1 190	930	6 217
	-1.0 m kg	*2 670	*2 670	*3 090	*3 090	3 510	2 670	2 230	1 720	1 610	1 250			1 300	1 010	5 835
	-2.0 m kg	*3 990	*3 990	*4 950	*4 950	*3 540	2 700	2 240	1 740	1 630	1 270			1 550	1 210	5 192
	-3.0 m kg			*3 940	*3 940	*2 550	*2 550	*1 690	*1 690					*1 560	*1 560	4 133



## Working Range



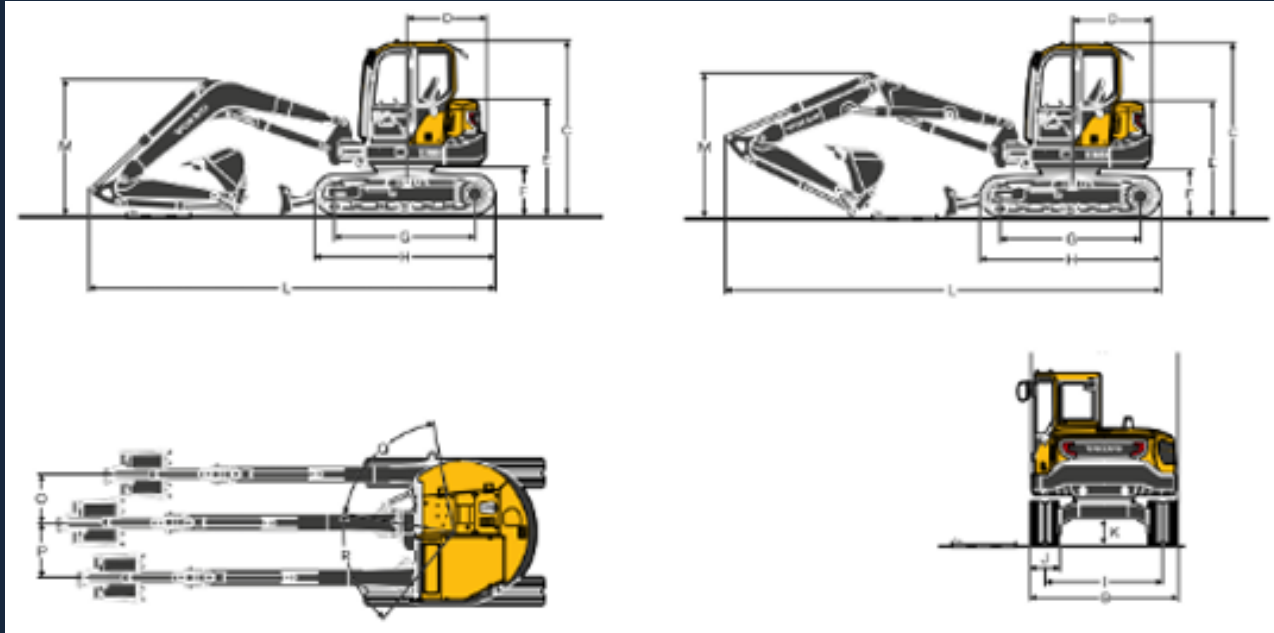
### WORKING RANGES

Description	Unit	3.55 (mono)		3.85 (2pcs)	
Boom	m				
Arm	m	1.7	2.1	1.7	2.1
A Max. digging reach	mm	6 970	7 350	7 380	7 790
B Max. digging reach on ground	mm	6 800	7 180	7 220	7 640
C Max. digging depth	mm	4 130	4 530	4 090	4 480
D Max. digging depth (l=2 440mm level)	mm	3 750	4 200	3 790	4 220
E Max. vertical wall digging depth	mm	2 820	3 200	3 430	3 870
F Max. cutting height	mm	6 790	7 050	7 720	8 240
G Max. dumping height	mm	4 960	5 220	5 840	6 380
H Min. front swing radius	mm	2 560	2 640	2 530	2 700

### DIGGING FORCES WITH DIRECT FIT BUCKET

Breakout force (bucket)	SAE J1179	Unit	3.55 (mono)	3.85 (2pcs)
	ISO 6015	kN	50.7	50.4
		kN	57.2	56.8
Tearout force (arm)	SAE J1179	kN	38.9	33.8
	ISO 6015	kN	39.8	34.4
Rotation angle, bucket		*	190	190

## Dimensions



### DIMENSIONS

Machine		ECR88D			
Boom	m	3.55 (mono)		3.85 (2pcs)	
Arm	m	1.7	2.1	1.7	2.1
A Overall width of upper structure	mm	2 260	2 260	2 260	2 260
B Overall width	mm	2 300 / 2 450	2 300 / 2 450	2 300 / 2 450	2 300 / 2 450
C Overall height of cab	mm	2 715	2 715	2 715	2 715
D Tail swing radius	mm	1 290	1 290	1 320	1 320
E Overall height of engine hood	mm	1 810	1 810	1 810	1 810
F Counterweight clearance *	mm	760	760	760	760
G Tumbler length	mm	2 200	2 200	2 200	2 200
H Track length	mm	2 830	2 830	2 830	2 830
I Track gauge	mm	1 850	1 850	1 850	1 850
J Shoe width	mm	450 / 600	450 / 600	450 / 600	450 / 600
K Min. ground clearance *	mm	405	405	405	405
L Overall length	mm	6 370	6 420	6 810	6 860
M Overall height of boom	mm	2 115	2 230	2 247	2 455
O Boom swing distance	mm	760	760	756	756
P Boom swing distance	mm	860	860	863	863
Q Boom swing angle	°	70		70	
R Boom swing angle	°	60		60	

\* Without shoe grouser

## SG-15N

### Technical data

Weight (excl. adapter) *	kg	760
Height	mm	1500
Depth	mm	900
Width	mm	850
Engine power, min, Tier III / Tier IV	kW	38 / 38
Return pressure, max	bar	5
Pressure setting	bar	250
Frequency	1/min	2300 - 3000
Eccentric moment	kgm	1.6
Centrifugal force, max	kN	150
Ground vibration		Normal
Driving method		Vibration
Swing angle	°	+/- 360
Tilt angle	°	+/- 30

\*Exact weight depends on clamp/pad-system

### Suitable piles

Types and dimensions			Length & Weight
Sheet pile	width mm	400-600	4m / 400kg
	depth mm	140	6m / 200kg
Sheet pile	width mm	394-705	
	depth mm	150	
Timber pile	mm	Ø 100-323	
Tubular pile, tubes	mm	Ø 80-323	



# 12,000 max Auger Torque



## 12000 MAX

8-13t

80 - 240 Bar

3998 - 11995 Nm

80 - 170 lpm \*

25 - 54 rpm

75mm Square

930 mm

290 mm

172kg

Single Pin Hitch

Double Pin Hitch

Cradle Hitch

S6

150 - 1000 mm

**Complete with 3.5m long, 400mm dia Auger string.  
Additional sectional pieces can be added to increase Auger length.**

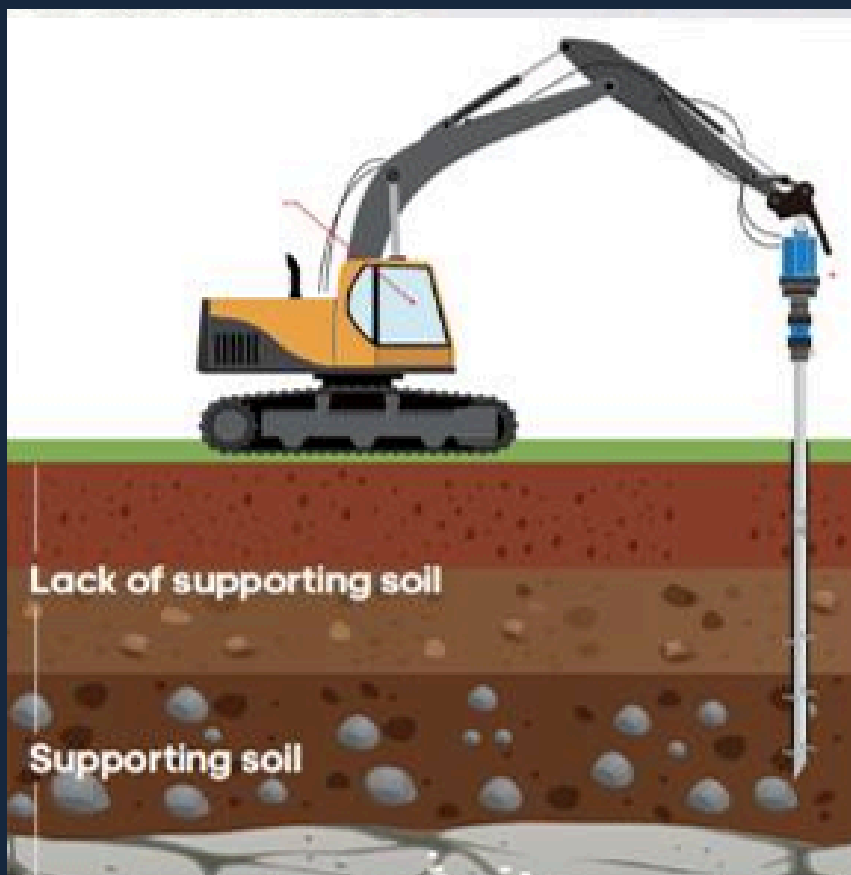
Elite Sheet Piling Ltd

Movax Side Grip Specialists

## Helical & Screw Piles



**Adaptation 75mm square socket to Helical screw pile 76.1mm – 89.1mm dia**



Elite Sheet Piling Ltd

Movax Side Grip Specialists

## ESP IH-05



**The ESP IH05 Complete with 400kg drop weight, manually operated from the main cab**

**60mm bottom anvil plate complete with Nylon impact dolly**

**3.0m Heavy duty reinforced mast**

**Full hammer guard cage**

**Impact driving of Sheet piles, Steel Tubes, Trench Sheet, Solar Installation**

**Total Weight 920kg**